

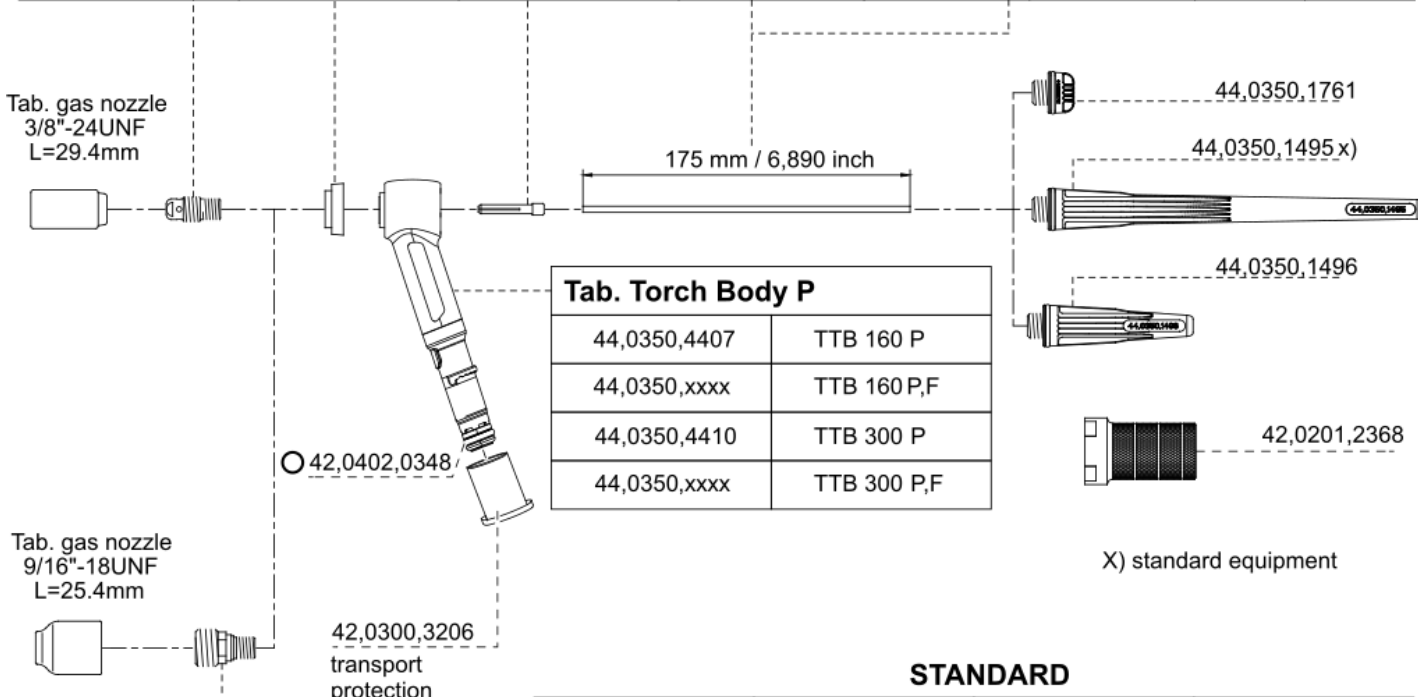
TTB 160P G ML /70°/L65

44,0350,4407

TTB 160P G ML/70°/L65 (44,0350,4407)

STANDARD

Part No. collet body	Part No. head shield	Part No. collet	Part No. electrode WC20	Part No. electrode WP	Part No. electrode WS2	Electrode Ø	
						Ømm	Øinch
42,0001,2827	42,0100,0391 x)	42,0001,2300	42,0411,4012			1,0	.039
42,0001,0260		42,0001,2571	42,0411,4001	42,0411,4008	42,0411,0161	1,6	.063
42,0001,0261 x)		42,0001,2572 x)	42,0411,4002 x)	42,0411,4005	42,0411,0162	2,4	.094
42,0001,0262		42,0001,2573	42,0411,4003	42,0411,4006	42,0411,0163	3,2	.126



STANDARD

gas nozzle ceramic screwable 3/8"-24UNF L=29.4mm 1.156inch	d1		d2		Part No.
	mm	inch	mm	inch	
	6,4	.252	14,3	.563	42,0300,0105
	7,9	.311	14,3	.563	42,0300,0106
	9,5	.374	14,3	.563	42,0300,0107 x)
	11,1	.437	17,5	.689	42,0300,0108
	12,7	.500	17,5	.689	42,0300,0109
	15,9	.626	20,6	.811	42,0300,0110

GAS LENS STANDARD

Electrode Ø		Part No. gas lens
Ø mm	Ø inch	
1,0	.039	42,0001,1343
1,6	.063	42,0001,1344
2,4	.094	42,0001,1345
3,2	.126	42,0001,1346

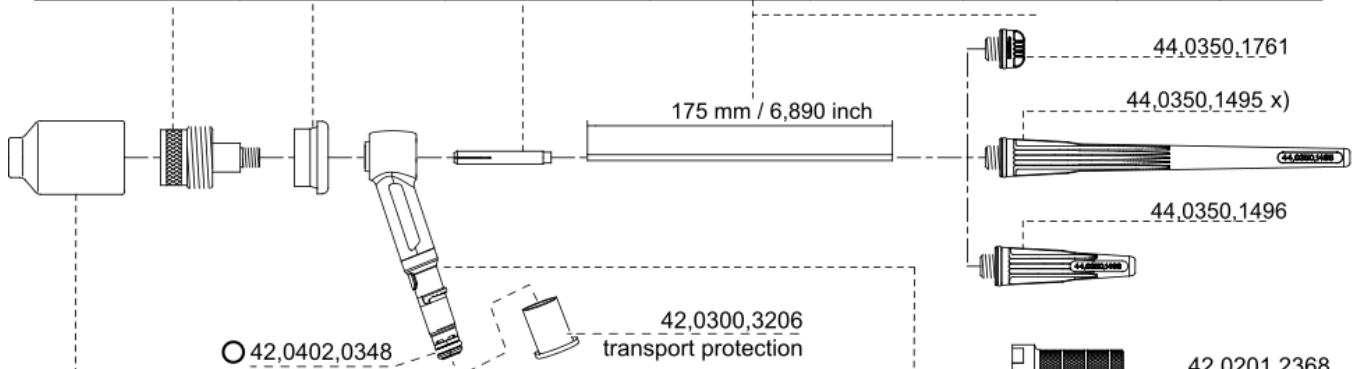
GAS LENS STANDARD

gas nozzle ceramic screwable 9/16"-18UNF L=25.4mm / 1.0inch	d3		d4		Part No.
	mm	inch	mm	inch	
	6,4	.252	20,6	.811	42,0300,0982
	7,9	.311	20,6	.811	42,0300,0983
	9,5	.374	20,6	.811	42,0300,0984
	11,1	.437	20,6	.811	42,0300,2007
	12,7	.500	19	.748	42,0300,2008

TTB 160P G ML/70°/L65 (44,0350,4407)

GAS LENS LARGE

Part No. gas lens	Part No. head shield	Part No. collet	Part No. electrode WC20	Part No. electrode WP	Part No. electrode WS2	Electrode Ø	
						Ø mm	Ø inch
42,0001,3010	42,0100,0407	42,0001,2826	42,0411,4012			1,0	.039
42,0001,3011		42,0001,3001	42,0411,4001	42,0411,4008	42,0411,0161	1,6	.063
42,0001,3012		42,0001,3008	42,0411,4002	42,0411,4005	42,0411,0162	2,4	.094
42,0001,3013		42,0001,3009	42,0411,4003	42,0411,4006	42,0411,0163	3,2	.126

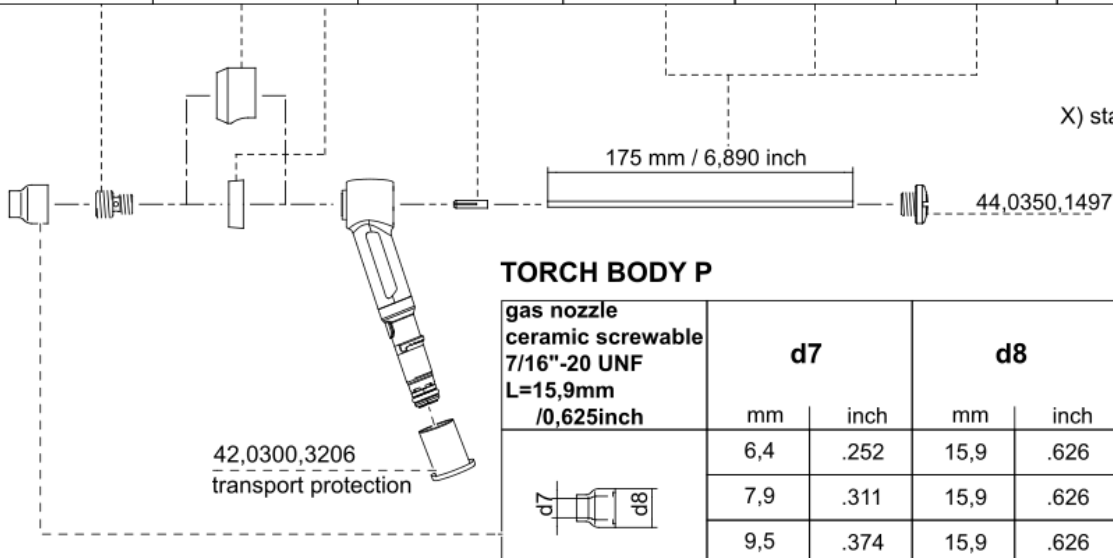


gas nozzle ceramic screwable 1"-16G L=47,6mm /1,875inch	d5		d6		Part No.
	mm	inch	mm	inch	
	9,5	.374	30,2	1,189	42,0300,2247
	12,7	.500	30,2	1,189	42,0300,2248
	15,9	.626	30,2	1,189	42,0300,2249
	19,0	.75	30,2	1,189	42,0300,2250

Tab. Torch Body P	
44,0350,4407	TTB 160 P
44,0350,xxxx	TTB 160 P,F
44,0350,4410	TTB 300 P
44,0350,xxxx	TTB 300 P,F

GAS LENS SMALL

Part No. gas lens	Part No. head shield	Part No. collet	Part No. electrode WC20	Part No. electrode WP	Part No. electrode WS2	Electrode Ø	
						Ø mm	Ø inch
44,0350,1489	42,0100,0388 long	42,0001,3002	42,0411,4012			1,0	.039
44,0350,1490		42,0001,3003	42,0411,4001	42,0411,4008	42,0411,0161	1,6	.063
44,0350,1491		42,0100,0387 x)	42,0001,3004	42,0411,4002	42,0411,4008	42,0411,0162	2,4



X) standard equipment

TORCH BODY P

gas nozzle ceramic screwable 7/16"-20 UNF L=15,9mm /0,625inch	d7		d8		Part No.
	mm	inch	mm	inch	
	6,4	.252	15,9	.626	42,0300,2244
	7,9	.311	15,9	.626	42,0300,2245
	9,5	.374	15,9	.626	42,0300,2246